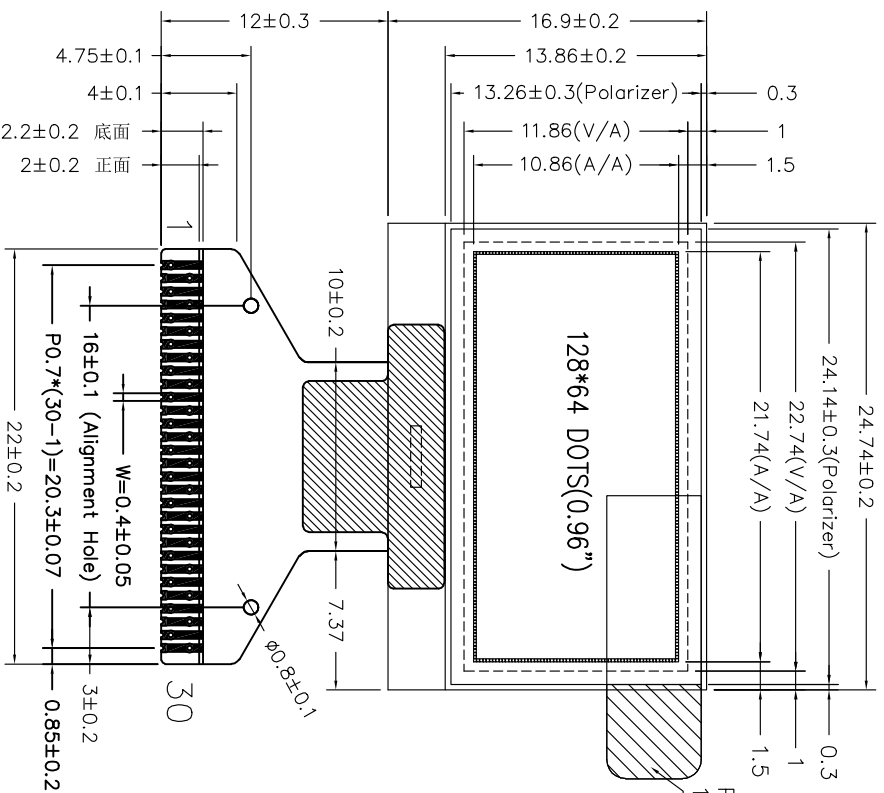
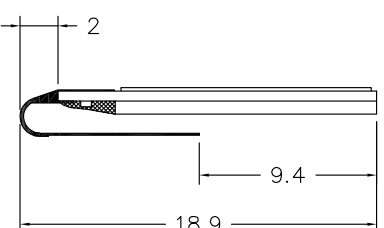
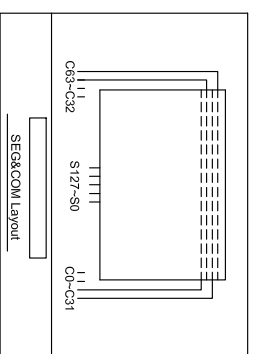
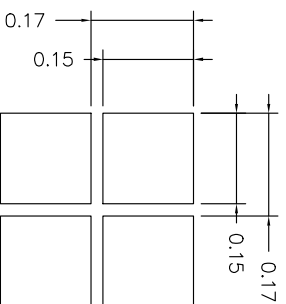
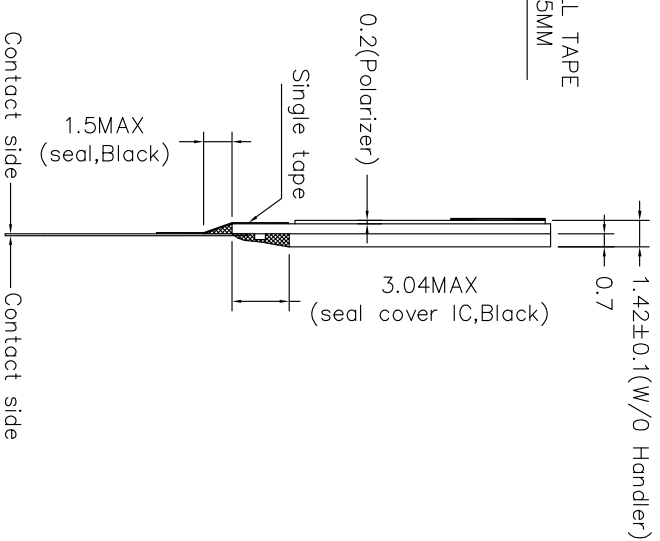


Customer approval :



Specifications:

1. Display : OLED(White).
2. Dot Matrix: 128\*64
3. Dot Size: 0.15\*0.15mm
4. Dot Pitch: 0.17\*0.17mm
5. Aperture Rate: 78%
6. Active Area : 21.74\*10.86mm
7. Drive IC: SSD1315Z



Reference Only

| PIN | SYMBOL  |
|-----|---------|
| 1   | NC(GND) |
| 2   | C2P     |
| 3   | C2N     |
| 4   | C1P     |
| 5   | C1N     |
| 6   | VBAT    |
| 7   | NC      |
| 8   | VSS     |
| 9   | VDD     |
| 10  | BS0     |
| 11  | BS1     |
| 12  | NC      |
| 13  | CS#     |
| 14  | RES#    |
| 15  | D/C#    |
| 16  | NC      |
| 17  | NC      |
| 18  | D0      |
| 19  | D1      |
| 20  | D2      |
| 21  | NC      |
| 22  | NC      |
| 23  | NC      |
| 24  | NC      |
| 25  | NC      |
| 26  | IREF    |
| 27  | VCOMH   |
| 28  | VCC     |
| 29  | VSSS    |
| 30  | NC(GND) |

| REV | REVISION RECORD | DATE       | MODEL NO.   | SYO12864A02-3C58WM2-WCE | GENERAL TOL: |
|-----|-----------------|------------|-------------|-------------------------|--------------|
| A   | FIRST ISSUE     | 2017/08/08 | 模组型号        |                         | ±0.3         |
| B   |                 |            | APPROVED BY | 审核                      |              |
| C   |                 |            | CHECKED BY  | 检查                      |              |
| D   |                 |            | DRAWING BY  | 绘图                      |              |



深圳市三元晶科技有限公司  
Shenzhen TCCLCD Hi-Tech Co., Ltd.



