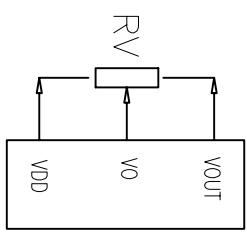
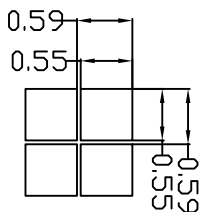
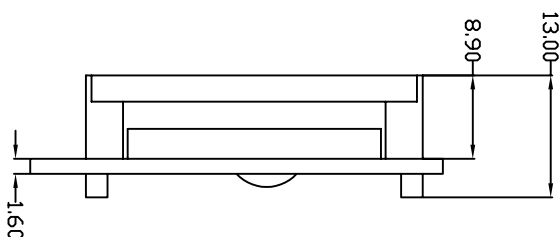
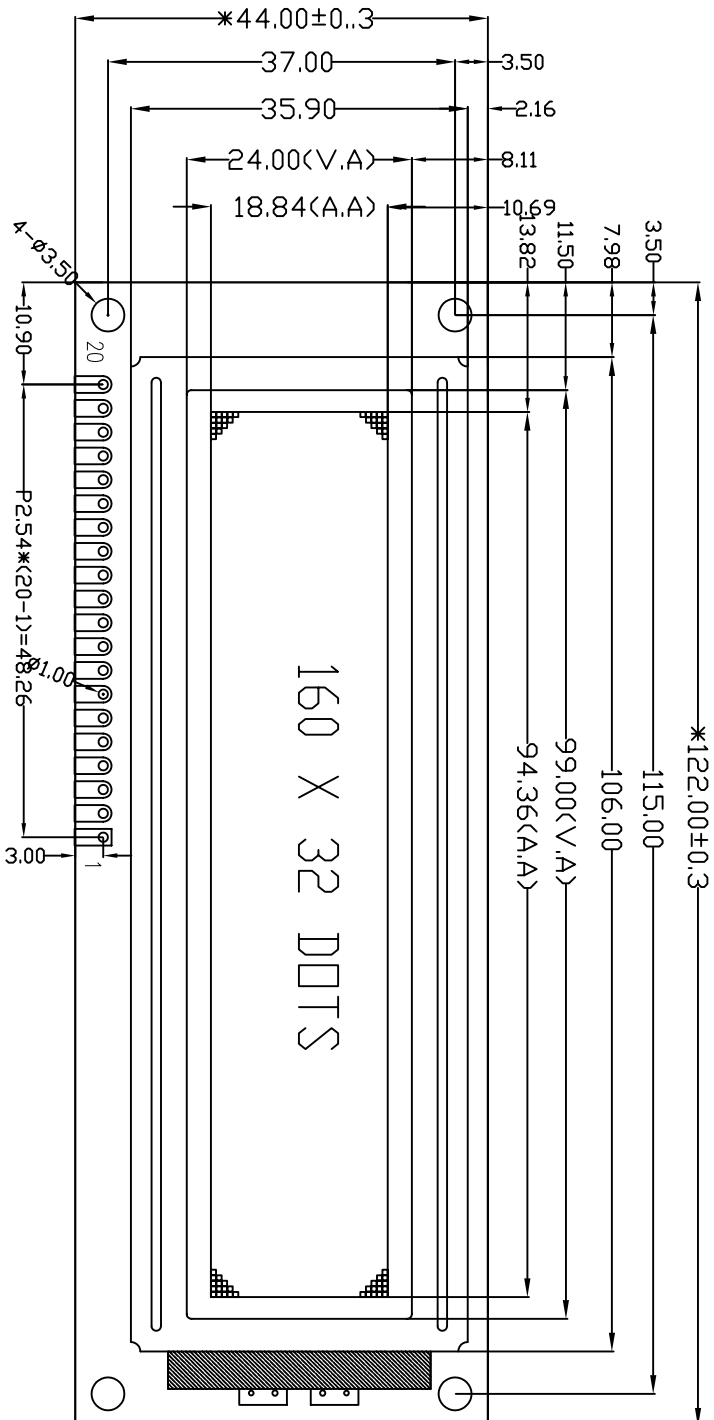


Customer approval :



Specification:

- 1). Driving: Dots:160*32, Duty:1/32, Bias:1/6,VDD:5.0V
- 2). Viewing Direction: 6 O'clock
- 3). Display mode:STN(Y-G)/Positive/Transflective
- 4). Operating temp.: 0°C~+50°C
Storage temp.: -10°C~+60°C
- 5). Controller IC:ST7920
- 6). Backlight: Bottom ,White
- 7). Dimensions with mark "*" are important,
with mark "(") are referenced
- 8). All the raw materials are RoHS compliant

PIN	1	2	3	4	5	6	7	8	9	10
CONNECTION	GND	VDD	V0	RS	RW	E	DB0	DB1	DB2	DB3
PIN	11	12	13	14	15	16	17	18	19	20
CONNECTION	DB4	DB5	DB6	DB7	PSB	NC	RES	VOUT	BLA	BLK

REV	REVISION RECORD	DATE
A0	First issue	03/09



深圳市三元晶科技有限公司
ShenZhen TCC LCD Hi-Tech Co., Ltd

MODEL NO. SYB16032AZKV20
模组型号

GENERAL TOL: ±0.3
未注公差

APPROVED BY

PAGE: 1 OF 1
UNIT: mm

CHECKED BY

PROJECTION
三角法

