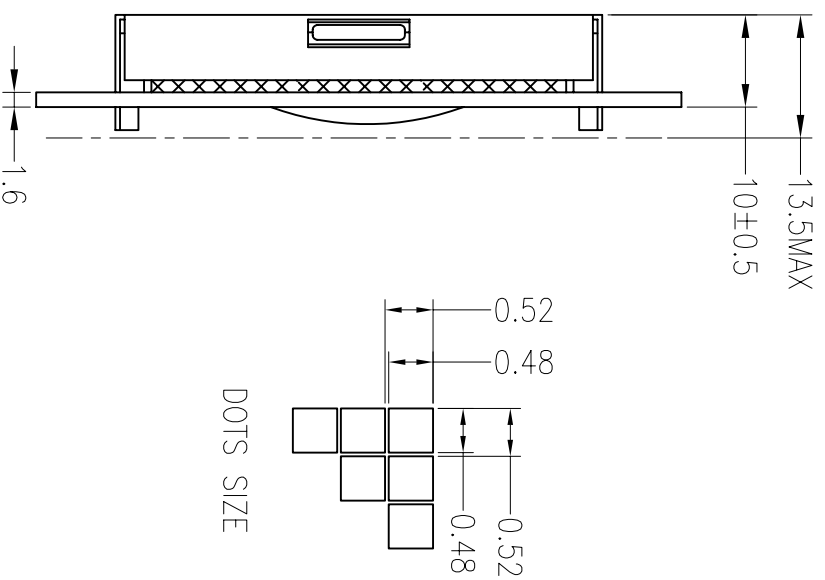
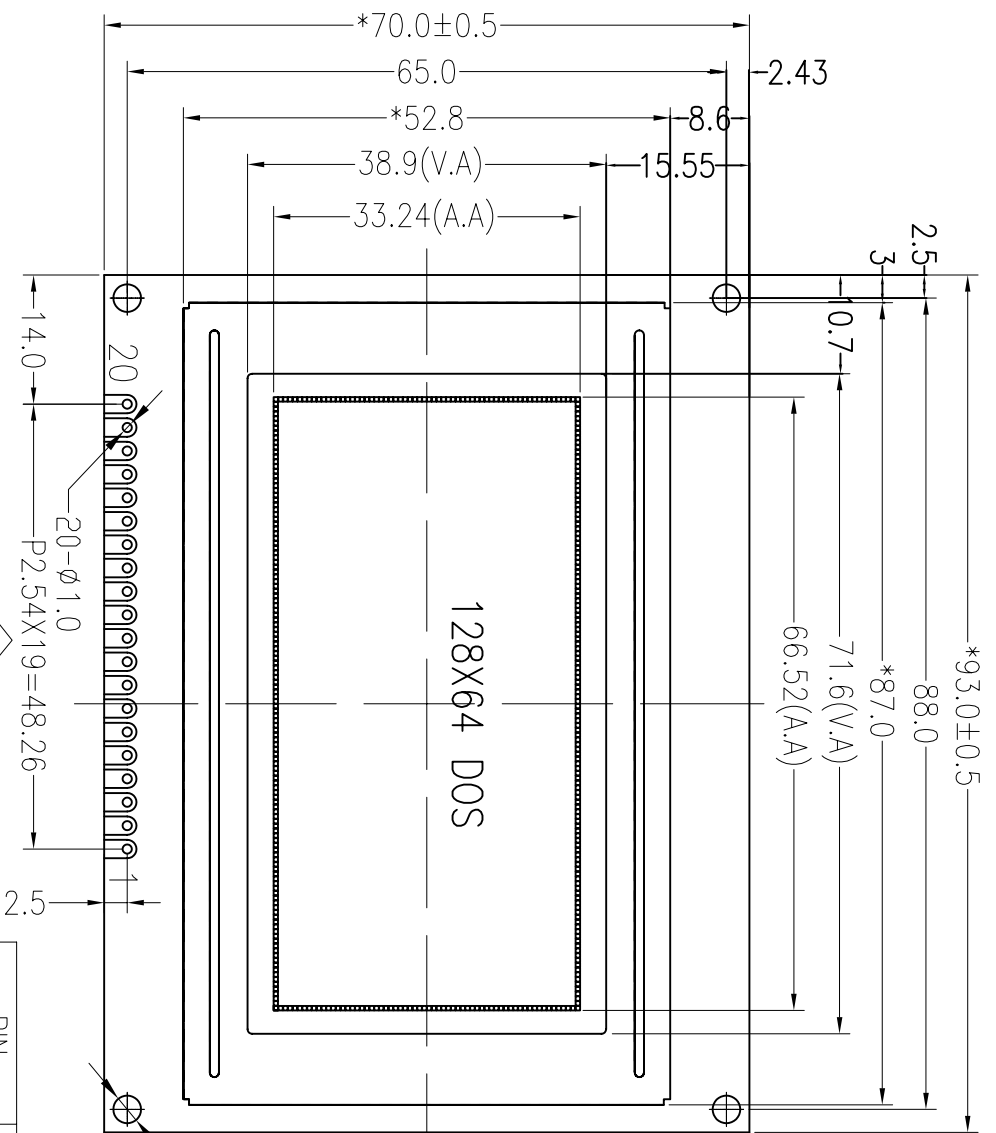


**Customer approval:**



**Specification:**

- 1). Driving: Duty:1/64, Bias:1/9, VLCD:9.7V(Ref), VDD:5.0V
- 2). Viewing angle: 6 O'clock
- 3). Display mode: STN/Negative/Transmissive/Blue
- 4). Operating temp.: 0°C~+50°C  
Storage temp.: -10°C~+60°C
- 5). IC: SBN0064G and SBN6400G
- 6). Backlight: EDGE,WHITE(BLA-BLK=5.0V)
- 7). Dimensions with mark "\*" are important, with mark "(") are referenced
- 8). All the raw materials are ROHS compliant

VIEWING DIRECTION

PIN	1	2	3	4	5	6	7	8	9	10
CONNECTION	VSS	VDD	V0	RS	R/W	E	DB0	DB1	DB2	DB3
PIN	11	12	13	14	15	16	17	18	19	20
CONNECTION	DB4	DB5	DB6	DB7	CS1	CS2	RST	VEE	BLA	BLK

**REVISION RECORD**

First Issue

REV

A0



深圳市三元晶液晶显示科技有限公司  
ShenZhen TCC LCD Hi-Tech Co., Ltd.

MODEL NO.	SYB12864CV13-5C9BLN7R-B5NG	GENERAL TOL:	±0.3
APPROVED BY		UNIT:	mm
CHECKED BY		PAGE:	1 OF 1
DRAWING BY	YJQ	PROJECTION	三 角 法
	2010/10/21		